

Please read and save these instructions. Read carefully before attempting to assemble, install, operate or maintain the product described. Protect yourself and others by observing all safety information. Failure to comply with instructions could result in personal injury and/or property damage! Retain instructions for future reference.

Dayton® Commercial Duty Unassembled Air Circulators

Description

Dayton Commercial Duty Unassembled Air Circulators are used to provide a high volume of air circulation for both spot and general cooling applications in a clean, dry environment. Low sound levels for commercial applications. Two-piece black powder coated wire guards comply with United States OSHA Standard 1910.212, 1/2" opening requirement. Stamped aluminum 3-blade propeller, 120V, 60 Hz motor has automatic reset thermal protection. Circulator heads feature locking tilt adjustment. Motors are permanently lubricated.

All circulators are UL and cUL listed and comply with UL507 for stability when used with Dayton Air Circulator Mountings. Choice of adjustable floor pedestal or wall/ceiling bracket.

Performance

Model	Propeller Dia. (In)	Motor RPM	HP	Volts	Hz	CFM High	CFM Low	Air Velocity @20 FT (FPM)	Operating Amps	Full Load Amps
6ALE7A/6ALE6A	18	1100/950	1/8	120	60	3480	2460	330/273	1.8/1.4	1.8
2LY96B/2LY99B	20	1200/1000	1/6	120	60	3700	2600	400/350	2.0/1.5	2.0
2LY97B/2MA10B	24	1100/950	1/4	120	60	5450	3800	590/300	2.9/2.0	2.9
1RWB4B/1RWB5B	30	1100/900	1/4	120	60	7250	4650	715/480	2.9/1.9	2.9

Unpacking

1. Inspect carefully for any signs of damage that may have occurred during transit.
2. Shipping damage claim must be filed with carrier.

General Safety Information

NOTE: To comply with UL507, circulator is not to be used in unattended areas.

1. Ensure that the power source conforms to the electrical requirements of the fan.
2. Where a two-prong wall receptacle is encountered, it must be replaced with a properly grounded three-prong receptacle installed in accordance with the United States National Electrical Code (NEC) and all applicable local codes and ordinances. This work must be done by a qualified electrician, using copper wire only.

▲ WARNING Use of a three-prong to two-prong adapter is not recommended. Improper connection may create the risk of electrocution. Use of such adapters is prohibited in Canada.

3. Where possible, avoid the use of extension cords. If they must be used, minimize the risk of overheating by ensuring that they are UL Listed and of the proper gauge and length. Never use a single extension cord to operate more than one fan.
4. Do not kink the cord or allow it to contact oil, grease, chemicals, hot surfaces, or sharp or abrasive objects.

▲ WARNING Do not depend on any switch as the sole means of disconnecting power when installing or servicing the fan. Failure to do so may result in fatal electrical shock.

5. This fan is to be operated ONLY with its OSHA compliant guards in place to prevent persons and/or objects from contacting the revolving propeller. Any other use voids warranty and may create unsafe conditions.

▲ WARNING Do not insert fingers or foreign objects into the fan. Do not block or tamper with the fan in any manner while it is in operation.



Figure 1 – Wall Mounted Circulator
6ALE7A 2MA10B 2LY99B 1RWB4B



Figure 2 – Pedestal Mounted Circulator
6ALE6A 2LY97B 2LY96B 1RWB5B

▲ WARNING Do not touch motor. May be hot enough to cause injury.

6. Fan is intended for general air circulation ONLY. It must NOT be used in potentially dangerous locations such as flammable, explosive, chemical-laden, or wet atmospheres. Do not use fan in or near a window, since rain may create an electrical hazard. Do not attach ductwork to the fan.

▲ WARNING Unplug prior to servicing unit.

7. Fan motor is equipped with an automatically resetting thermal protector that will disconnect power if the motor overheats. Always unplug fan before removing guard, as motor may restart unexpectedly.

Dayton® Commercial Duty Unassembled Air Circulators

General Safety Information (Continued)

8. In cases in which property damage may result from malfunction of the fan, a suitable alarm (air switch, temperature sensor, etc.) should be used.
9. Do not operate any fan with a damaged cord or plug. Discard fan or return to an authorized service facility for examination and/or repair.
10. Do not run cord under carpeting. Do not cover cord with throw rugs, runners, or similar coverings. Do not route cord under furniture or appliances. Arrange cord away from traffic area and where it will not be tripped over.

⚠ WARNING To reduce the risk of fire or electric shock, do not use this fan with any speed control device.

Assembly

CIRCULATOR HEAD

1. Remove the circulator head parts from the box.
2. Place the motor on a flat level surface with the motor shaft facing up.
3. Secure the rear guard to the motor using the four nuts and washers provided. Apply 35-40 in. lbs. of torque to motor mount nuts.
4. Secure propeller on the flat of the motor shaft with the supplied bolt. When attaching the propeller, the bolt should be facing the motor. Apply 90-120 in. lbs. torque to propeller bolt.
5. Place front guard on rear guard with decal facing away from propeller. Position guard hooks between ribs of rear guard. Use a large screw driver to pry guard hooks into place. When

assembled, the guard hooks should be located between the largest, outermost ring and the second outermost ring. Make sure that all hooks are engaged before operating fan.

6. Verify that propeller does not contact the guard set at any point before connecting fan to power supply.

Installation

FAN WITH PEDESTAL BASE

(Refer to Figure 3)

1. Remove the base and column assembly (which includes upper column, lower column and spring) from the box.
2. Ensure that the base weight is securely assembled to the base. Secure the column assembly onto the base using the five bolts and washers provided. Apply 35-45 in. lbs. of torque.
3. Adjust column to desired height and lock in position by tightening triangle knob in collar.

IMPORTANT: Do not over-tighten!

4. Place assembled circulator face down on a flat surface.
5. Tip pedestal assembly over, placing flattened column end in motor yoke.
6. Insert smaller bolt through motor adjustment slot and column end and finger-tighten lock nut.
7. Stand entire unit upright by lifting at the motor end of the column. Adjust circulator angle to desired position and tighten larger bolt to 200-230 in. lbs. and smaller bolt to 150-160 in. lbs.
8. Place assembled pedestal and fan on a flat, level surface. Do not place the cord under the pedestal base. Locate

assembly where cord will not be a tripping hazard.

9. Insert the plug into a properly grounded three-prong receptacle or GFCI if codes requires. The unit is now ready for operation.

NOTE: This pedestal assembly meets UL stability requirements with the enclosed Dayton Air Circulator Models.

NOTE: Use only the mounting hardware which is recommended for use with the Dayton circulator.

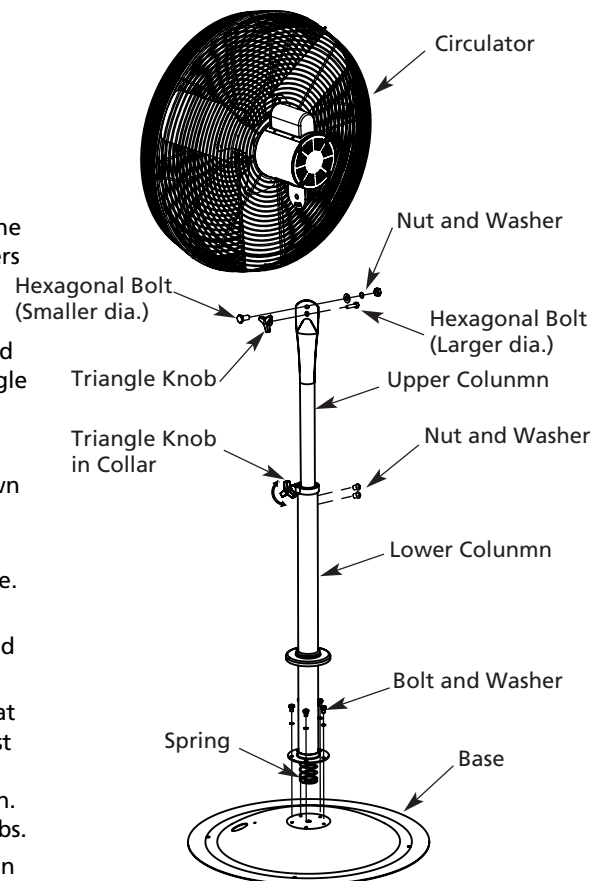


Figure 3 – Pedestal Fan Assembly

Models 1RWB4B, 1RWB5B, 2LY96B, 2LY97B, 2LY99B, 2MA10B, 6ALE6A and 6ALE7A

E
N
G
L
I
S
H

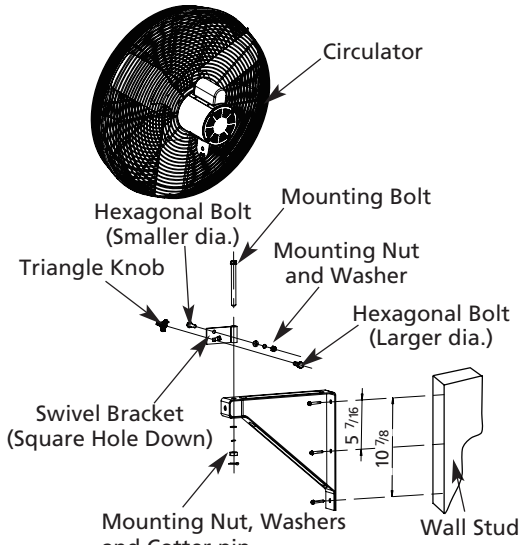


Figure 4 - Wall Mounted Assembly

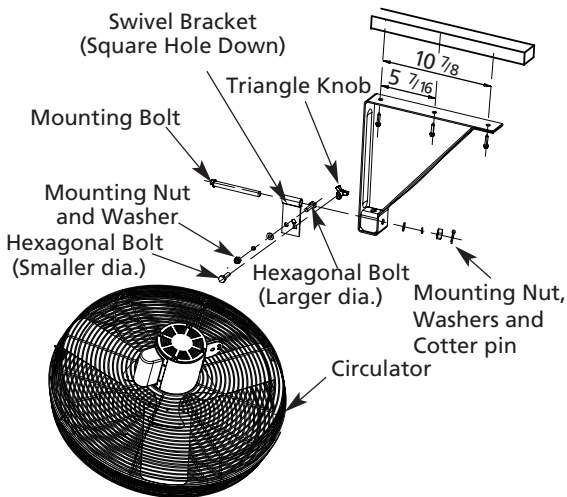


Figure 5 - Ceiling Mounted Assembly
FAN WITH WALL/CEILING BRACKET

(Refer to Figures 4 and 5.)

1. The wall/ceiling bracket should be assembled with the swivel bracket as shown in the appropriate illustration. The bracket has three holes; be sure the square hole is in the correct

orientation and positioned as specified in appropriate mounting position illustration.

Installation (Continued)

2. Locate the wall or ceiling stud nearest the desired fan location. Attach the bracket to the stud using supplied hardware or appropriately sized bolts and nuts if attaching to I-beams.

NOTE: Always install the bracket to a minimum of 2 x 4 studding.

WARNING *If the fan is to be mounted with the Dayton wall/ceiling bracket, it MUST be mounted and secured on a solid wall or solid ceiling surface that is structurally sound to support the fan and mounting bracket. The wall/ceiling bracket along with the fan MUST NOT be mounted on any surface that is subject to vibration, wobbling, movement or the like. The fan MUST be mounted and properly secured to a STATIONARY structure.*

3. Position the swivel bracket on the wall/ceiling bracket as noted in step #1. Secure with the mounting bolt, flat washer, lock washer, and nut per Figures 4 & 5. Torque to 120-130 in./lbs. Finally, secure with the cotter pin through the mounting bolt hole. Position the swivel bracket in the motor yoke and align the pivot hole with the round hole in the swivel bracket.
4. Insert the larger diameter bolt in the pivot hole and install the lock nut finger-tight.
5. Insert the smaller diameter bolt in the slot in the motor yoke (or support bracket) and square hole in the pivot bracket and install triangle knob finger-tight.
6. While holding the circulator at the desired angle, tighten the smaller diameter bolt.
7. Tighten larger bolt to 200-230 in. lbs. and smaller bolt to 150-160 in. lbs., being careful to maintain the desired

position.

8. Plug the power cord into a properly grounded three-prong receptacle or GFCI if code requires.

WARNING *Unplug prior to servicing unit.*

To avoid personal injury, circulators must be supported anytime angle is adjusted.

WARNING *Immediately unplug the fan if its operation is found to be unbalanced, wobbling or showing signs of significant vibration. Determine the root cause of the improper operation (loose mounting hardware, unbalanced propeller, etc) and resolve accordingly. DO NOT OPERATE a fan that is NOT functioning properly. Troubleshooting and parts replacement MUST only be performed by qualified personnel.*

NOTE: This wall or ceiling bracket meets UL static load requirements with the following Dayton Air Circulator Models 1RWB4B, 2LY99B, 2MA10B and 6ALE7A.

SECONDARY SAFETY SUPPORT CABLE INSTALLATION

(Refer to Figures 6,7 and 8.)

WARNING *All wall / ceiling mounted air circulator fans MUST have their secondary safety support cable installed properly before the fans are put into use or service. All installations MUST be performed by qualified personnel only.*

1. Loop one end of the cable around the large diameter wires of both the front and rear guard.

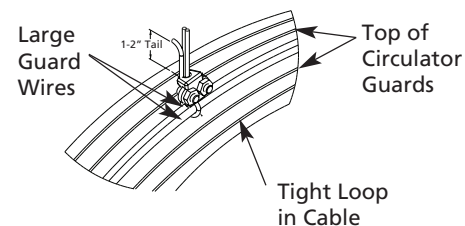


Figure 6

Models 1RWB4B, 1RWB5B, 2LY96B, 2LY97B, 2LY99B, 2MA10B, 6ALE6A and 6ALE7A

E
N
G
L
I
S
H

2. Attach a cable retainer with "U" on the tail side of the loop leaving a tail of approximately 1 to 2 inches. Tighten clamp nuts forming a tight loop, 32 in. lbs of torque. Make sure the cable does not interfere with the propeller.

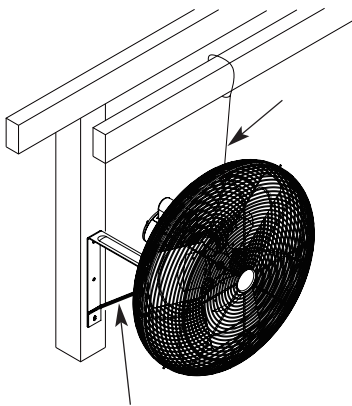


Figure 7 - Secure Cable to Nearest Support with Wall Bracket

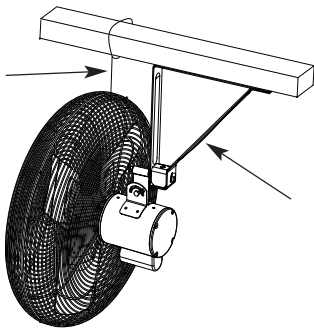


Figure 8 - Secure Cable to Nearest Support with Ceiling Bracket

3. Wrap the other end of the cable around a secure building joist, beam, truss or other support near the fan. Take up all excess slack in the cable.
4. Attach the remaining cable retainers as done previously in "step 2". The excess tail should be trimmed to extend 1 to 2 inches past the second clamp.

4. Check the assembly to assure the propeller is free of all obstructions and turns freely.
5. Connect the circulator to the proper power supply ensuring that it conforms to the electrical ratings listed on the circulator's motor nameplate.

⚠ WARNING *Use of the secondary safety support cable does NOT guarantee protection against injury of persons or property. Mounting and installation of both the circulator and the cable could fail if subject to abuse, neglect, lack of maintenance, or improper installation. Installer is responsible for ensuring that all required safety measures are implemented.*

⚠ CAUTION *To avoid personal injury, circulators must be supported anytime angle is adjusted.*

Operation

Units are operated, or speeds are selected using pull chain switch located on back of motor.

To avoid the possibility of overturning a pedestal fan, it must be operated on a stable, level surface. Do not move fan while it is in operation.

Maintenance

⚠ WARNING *Parts replacement and troubleshooting to be performed only by qualified personnel.*

⚠ WARNING *Do not depend on any switch as the sole means of disconnecting power when installing or servicing the fan. Failure to do so may result in fatal electrical shock.*

⚠ CAUTION *Do not use gasoline, benzene, thinner, harsh cleaners, etc., which are dangerous and will damage the air circulator.*

⚠ WARNING *Unplug unit before servicing or cleaning.*

CLEANING

The propeller, guard, and motor should be regularly cleaned on a schedule to prevent overheating, and/or operating in an unbalanced condition.

If cleaning requires the removal of guard, remove only the front guard re-install when finished in its original installed position. Do not repair propeller if it becomes damaged. The propeller is accurately balanced at factory and should be replaced if damaged.

Motor is permanently lubricated.

For Repair Parts, call 1-800-Grainger

24 hours a day – 365 days a year

Please provide following information:

- Model number
- Serial number (if any)
- Part description and number as shown in parts list

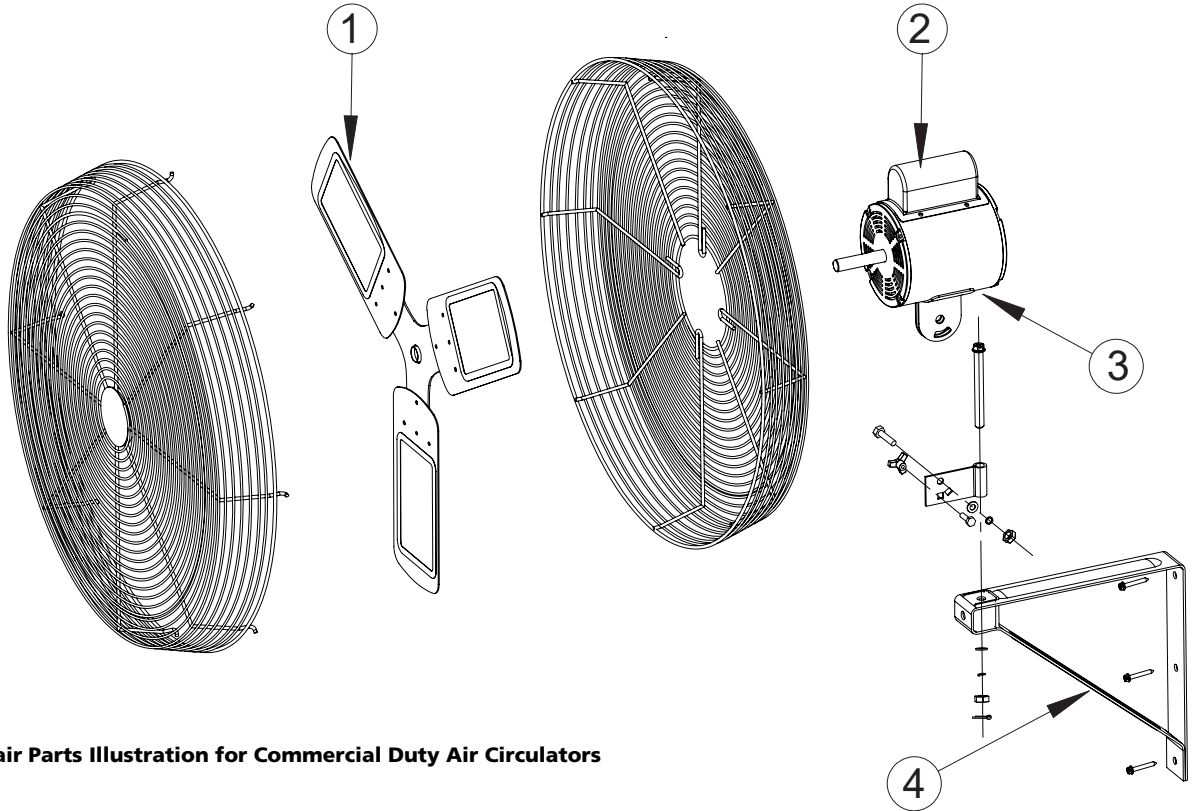


Figure 5 – Repair Parts Illustration for Commercial Duty Air Circulators

Repair Parts List for Commercial Duty Air Circulators

Reference Number	Description	Part Number for Models:				Quantity
		6ALE6A	2LY96B	2LY97B	1RWB5B	
1	Propeller	19YX54	19YX55	19YX56	19YX57	1
2	Motor assembly	19YX58	19YX59	19YX60	19YX61	1
3	Pull chain switch	19YX62	19YX62	19YX62	19YX62	1

Repair Parts List for Commercial Duty Air Circulators

Reference Number	Description	Part Number for Models:				Quantity
		6ALE7A	2LY99B	2MA10B	1RWB4B	
1	Propeller	19YX63	19YX64	19YX65	19YX66	1
2	Motor assembly	19YX67	19YX68	19YX69	19YX70	1
3	Pull chain switch	19YX62	19YX62	19YX62	19YX62	1
4	Wall/Ceiling Bracket	19YX71	19YX71	19YX71	19YX71	1

ENGLISH

Dayton® Commercial Duty Unassembled Air Circulators

Troubleshooting Chart

Symptom	Possible Cause(s)	Corrective Action
Unit fails to operate	<ol style="list-style-type: none"> 1. Power cord not plugged in 2. Blown fuse or open circuit breaker 3. No power 4. Defective motor 	<ol style="list-style-type: none"> 1. Plug into outlet 2. Replace fuse or reset circuit breaker 3. Contact power company 4. Replace unit; motor is not field serviceable
Excessive vibration	<ol style="list-style-type: none"> 1. Motor mounting nuts to rear guard are insufficiently torqued. 2. Propeller is unbalanced due to accumulation of dirt, etc. 	<ol style="list-style-type: none"> 1. Apply 35-40 in. lbs. of torque to motor mounting nuts. 2. Clean propeller

LIMITED WARRANTY

DAYTON ONE-YEAR LIMITED WARRANTY. DAYTON® COMMERCIAL DUTY UNASSEMBLED AIR CIRCULATORS, MODELS COVERED IN THIS MANUAL, ARE WARRANTED BY DAYTON ELECTRIC MFG. CO. (DAYTON) TO THE ORIGINAL USER AGAINST DEFECTS IN WORKMANSHIP OR MATERIALS UNDER NORMAL USE FOR ONE YEAR AFTER DATE OF PURCHASE. ANY PART WHICH IS DETERMINED TO BE DEFECTIVE IN MATERIAL OR WORKMANSHIP AND RETURNED TO AN AUTHORIZED SERVICE LOCATION, AS DAYTON DESIGNATES, SHIPPING COSTS PREPAID, WILL BE, AS THE EXCLUSIVE REMEDY, REPAIRED OR REPLACED AT DAYTON'S OPTION. FOR LIMITED WARRANTY CLAIM PROCEDURES, SEE "PROMPT DISPOSITION" BELOW. THIS LIMITED WARRANTY GIVES PURCHASERS SPECIFIC LEGAL RIGHTS WHICH VARY FROM JURISDICTION TO JURISDICTION.

LIMITATION OF LIABILITY. TO THE EXTENT ALLOWABLE UNDER APPLICABLE LAW, DAYTON'S LIABILITY FOR CONSEQUENTIAL AND INCIDENTAL DAMAGES IS EXPRESSLY DISCLAIMED. DAYTON'S LIABILITY IN ALL EVENTS IS LIMITED TO AND SHALL NOT EXCEED THE PURCHASE PRICE PAID.

WARRANTY DISCLAIMER. A DILIGENT EFFORT HAS BEEN MADE TO PROVIDE PRODUCT INFORMATION AND ILLUSTRATE THE PRODUCTS IN THIS LITERATURE ACCURATELY; HOWEVER, SUCH INFORMATION AND ILLUSTRATIONS ARE FOR THE SOLE PURPOSE OF IDENTIFICATION, AND DO NOT EXPRESS OR IMPLY A WARRANTY THAT THE PRODUCTS ARE MERCHANTABLE, OR FIT FOR A PARTICULAR PURPOSE, OR THAT THE PRODUCTS WILL NECESSARILY CONFORM TO THE ILLUSTRATIONS OR DESCRIPTIONS. EXCEPT AS PROVIDED BELOW, NO WARRANTY OR AFFIRMATION OF FACT, EXPRESSED OR IMPLIED, OTHER THAN AS STATED IN THE "LIMITED WARRANTY" ABOVE IS MADE OR AUTHORIZED BY DAYTON.

Technical Advice and Recommendations, Disclaimer. Notwithstanding any past practice or dealings or trade custom, sales shall not include the furnishing of technical advice or assistance or system design. Dayton assumes no obligations or liability on account of any unauthorized recommendations, opinions or advice as to the choice, installation or use of products.

Product Suitability. Many jurisdictions have codes and regulations governing sales, construction, installation, and/or use of products for certain purposes, which may vary from those in neighboring areas. While attempts are made to assure that Dayton products comply with such codes, Dayton cannot guarantee compliance, and cannot be responsible for how the product is installed or used. Before purchase and use of a product, review the product applications, and all applicable national and local codes and regulations, and be sure that the product, installation, and use will comply with them.

Certain aspects of disclaimers are not applicable to consumer products; e.g., (a) some jurisdictions do not allow the exclusion or limitation of incidental or consequential damages, so the above limitation or exclusion may not apply to you; (b) also, some jurisdictions do not allow a limitation on how long an implied warranty lasts, consequently the above limitation may not apply to you; and (c) by law, during the period of this Limited Warranty, any implied warranties of implied merchantability or fitness for a particular purpose applicable to consumer products purchased by consumers, may not be excluded or otherwise disclaimed.

Prompt Disposition. A good faith effort will be made for prompt correction or other adjustment with respect to any product which proves to be defective within limited warranty. For any product believed to be defective within limited warranty, first write or call dealer from whom the product was purchased. Dealer will give additional directions. If unable to resolve satisfactorily, write to Dayton at address below, giving dealer's name, address, date, and number of dealer's invoice, and describing the nature of the defect. Title and risk of loss pass to buyer on delivery to common carrier. If product was damaged in transit to you, file claim with carrier.

Manufactured for Dayton Electric Mfg. Co., 100 Grainger Parkway, Lake Forest, IL 60045 USA

Manufactured for Dayton Electric Mfg. Co.
100 Grainger Parkway, Lake Forest, IL 60045 USA



Lea y guarde estas instrucciones. Léelas cuidadosamente antes de intentar montar, instalar, usar o realizar el mantenimiento del producto descrito. Protéjase a usted mismo y a los demás, siguiendo toda la información de seguridad. No seguir las instrucciones podría resultar en lesiones personales o daños en la propiedad. Guarde las instrucciones para futuras referencias.

Servicio comercial Dayton®

Circuladores de aire sin montar

Descripción

Los circuladores de aire desmontados de servicio comercial Dayton, se usan para proporcionar un alto volumen de circulación de aire para aplicaciones de enfriamiento tanto puntuales como generales en un entorno limpio y seco. Bajos niveles de sonido para aplicaciones comerciales. Las protecciones de alambre de dos piezas recubiertas con polvo negro cumplen con el estándar OSHA de los EE. UU. 1910.212, requisito de apertura de 1/2". El motor de hélice de 3 aspas de aluminio estampado de 120 V y 60 Hz tiene protección térmica de restablecimiento automático. Los cabezales de los circuladores cuentan con un ajuste de bloqueo de inclinación. Los motores están permanentemente lubricados.

Todos los circuladores están listados por UL y cUL y cumplen con UL507 para estabilidad cuando se usan con soportes de circuladores de aire Dayton. Opción de pedestal de suelo ajustable o soporte de pared/techo.

Rendimiento

Modelo	Diámetro hélice (pulg.)	RPM del motor	HP	Voltaje	Hz	CFM alto	CFM bajo	Velocidad del aire a 20 FT (FPM)	Amperaje de funcionamiento	Amperios a carga completa
6ALE7A/6ALE6A	18	1100/950	1/8	120	60	3480	2460	330/273	1.8/1.4	1.8
2LY96B/2LY99B	20	1200/1000	1/6	120	60	3700	2600	400/350	2.0/1.5	2.0
2LY97B/2MA10B	24	1100/950	1/4	120	60	5450	3800	590/300	2.9/2.0	2.9
1RWB4B/1RWB5B	30	1100/900	1/4	120	60	7250	4650	715/480	2.9/1.9	2.9

Desembalaje

1. Inspeccione cuidadosamente en busca de daños que se hayan podido producir durante el transporte.
2. La reclamación por daños en el envío deben presentarse ante el transportista.

Información general de seguridad

NOTA: Para cumplir con UL507, el circulador no debe ser usado en aéreas desatendidas.

1. Asegúrese de que la fuente de alimentación se ajusta a los requisitos eléctricos del ventilador.
2. Si se encuentra con una toma de dos patas, esta debe ser reemplazada apropiadamente por una toma de tres patadas debidamente conectada a tierra e instalada de acuerdo con el Código Nacional Eléctrico de los Estados Unidos (NEC) y todas las ordenanzas locales aplicables. Esta tarea debe ser realizada por un electricista cualificado utilizando únicamente alambre de cobre.

ADVERTENCIA No se recomienda el uso de un adaptador de tres patas a dos patas. Una conexión incorrecta puede provocar riesgo de electrocución. El uso de este tipo de adaptadores está prohibido en Canadá.

3. Cuando sea posible, evite el uso alargadores eléctricos. En caso de que su uso sea necesario, reduzca el riesgo de sobrecalentamiento asegurándose de que tienen certificación UL y el calibre y longitud adecuada. Nunca use un solo alargador para utilizar más de un ventilador.
4. No retuerza el cable, o lo ponga en contacto con aceite, grasa, productos químicos, superficies calientes y objetos afilados o abrasivos.

ADVERTENCIA No desconecte el ventilador simplemente con un interruptor mientras lo monta o repara. De así hacerlo, podría producirse una descarga eléctrica mortal.

5. Este ventilador SOLO debe usarse con sus protecciones OSHA en su sitio para evitar que personas u objetos entren en contacto con la hélice giratoria. Cualquier otro uso, anula la garantía y podría provocar condiciones peligrosas.

ADVERTENCIA No introduzca los dedos u objetos extraños en el ventilador. No bloquee o manipule de ninguna manera el ventilador cuando este está en uso.

ADVERTENCIA No toque el motor. Puede estar lo suficientemente caliente como para causar lesiones.



Figura 1 – Circulador de montaje en pared
6ALE7A 2MA10B 2LY99B 1RWB4B



Figura 2 – Circulador de montaje en pedestal
6ALE6A 2LY97B 2LY96B 1RWB5B

6. El ventilador está destinado SOLO para circulación de aire general. NO debe usarse en lugares potencialmente peligrosos como en atmósferas inflamables, explosivas, con alta carga química o húmedas. No use el ventilador en o cerca de una ventana, puesto que la lluvia podría crear una situación de peligro eléctrico. No conecte conductos al ventilador.

ADVERTENCIA Desenchufe antes de ponerse a reparar la unidad.

7. El motor del ventilador está equipado con un protector térmico de restablecimiento automático que desconecta la alimentación si el motor se sobrecalienta. Desenchufe siempre el ventilador cuando quite la protección, puesto que el motor se podría reiniciar inesperadamente.

Servicio comercial Dayton® Circuladores de aire sin montar

Información general de seguridad (Continuación)

8. En casos donde la propiedad pueda resultar dañada debido a un mal funcionamiento del ventilador, se debe usar una alarma adecuada (interruptor de aire, sensor de temperatura, etc.).
9. No use ningún ventilador con un cable o enchufe dañado. Deseche el ventilador o devuélvalo a un centro de servicio autorizado para su revisión y/o reparación.
10. No coloque el cable bajo una alfombra. No cubra el cable con tapetes, alfombras o cubiertas similares. No lleve los cables bajo muebles o electrodomésticos. Coloque el cable en zonas de poco paso para evitar tropiezos.

ADVERTENCIA Para reducir el riesgo de incendio o descarga eléctrica, no use este dispositivo con un dispositivo de control de velocidad.

Montaje

CABEZAL DE CIRCULACIÓN

1. Saque las partes del cabezal de circulación de la caja.
2. Coloque el motor en una superficie plana con el eje del motor hacia arriba.
3. Fije la parte trasera de la protección al motor usando las cuatro tuercas y arandelas provistas. Aplique una torsión de entre 35 y 40 libras por pulgada para montar las tuercas del motor.
4. Fije la hélice en el plano del eje del motor con el perno suministrado. Al colocar la hélice, el perno debe quedar mirando al motor. Aplique una torsión de entre 90 y 120 libras por pulgada al perno de la hélice.
5. Coloque la protección delantera en la protección trasera, con la calcomanía de espaldas a la hélice. Coloque los ganchos de la protección entre la cubierta de la protección trasera. Use un destornillador grande para poner

los ganchos de protección en su lugar. Al montarse, los ganchos de la protección deben de colocarse entre el anillo de protección más externo y grande y el segundo anillo de protección más externo. Asegúrese de que todos los ganchos estén enganchados antes de usar el ventilador.

6. Asegúrese de que la hélice no toca con las protecciones en ningún punto antes de conectar el ventilador a la toma eléctrica.

Instalación

VENTILADOR CON BASE DE PEDESTAL (Consulte la Figura 3)

1. Saque las piezas de la base y la columna (que incluye la columna superior, inferior y el resorte) de la caja.
2. Asegúrese de que el peso de la base esté montado seguramente en la base. Fije la columna a la base usando los cinco pernos y arandelas proporcionados. Aplique una torsión de entre 35 y 45 libras por pulgada.
3. Ajuste la columna a la altura deseada y bloquéela apretando el cierre con forma triangular en el cuello.

IMPORTANTE: No apriete demasiado

4. Coloque el circulador montado boca abajo en una superficie plana.
5. Vuelque la pieza del pedestal, colocando la parte final plana de la columna en el yugo del motor.
6. Inserte el perno más pequeño a través de la ranura de ajuste del motor y el final de la columna, y apriete manualmente la tuerca de seguridad.
7. Ponga en pie la unidad completa levantando el extremo del motor de la columna. Ajuste el ángulo del circulador a la posición deseada y apriete el perno más grande aplicando una torsión de entre 200 y 230 libras por pulgada y el perno más pequeño aplicando una torsión de entre 150 y 160 libras por pulgada.
8. Coloque el pedestal y el ventilador en una superficie plana y nivelada. No

coloque el cable bajo la base del pedestal. Ponga la unidad en un lugar donde el cable no pueda provocar tropiezos.

9. Inserte el enchufe en una toma de corriente de tres patas debidamente conectada a tierra o en un GFCI si el código lo requiere. La unidad está ahora lista para su uso.

NOTA: Este pedestal cumple con los requisitos de estabilidad UL con los modelos de Dayton Air Circulators adjuntos.

NOTA: Use solo las herramientas de montaje recomendadas para su uso con el circulador Dayton.

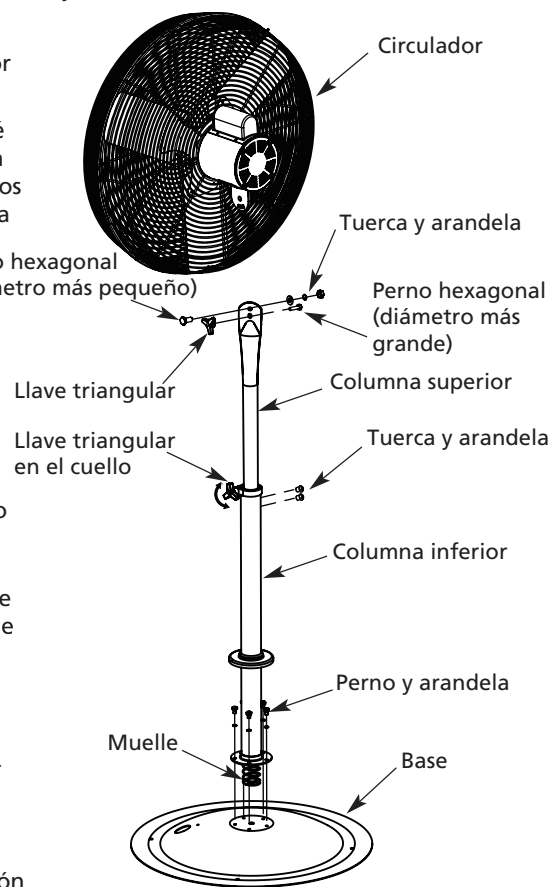


Figura 3 – Montaje del ventilador de pedestal

Modelos: 1RWB4B, 1RWB5B, 2LY96B, 2LY97B, 2LY99B, 2MA10B, 6ALE6A y 6ALE7A

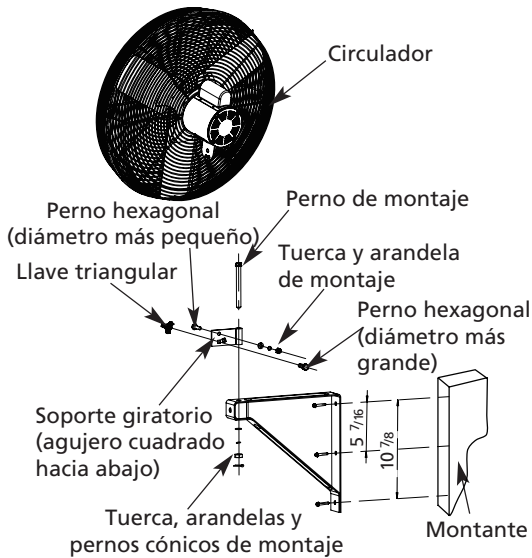


Figura 4 – Montaje en pared

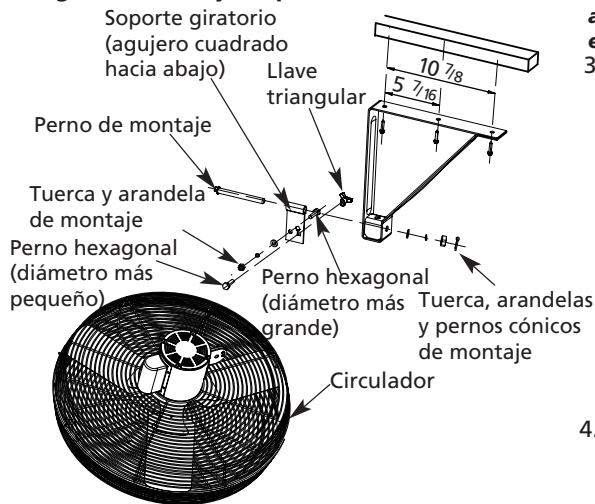


Figura 5 – Montaje en techo

VENTILADOR CON SOPORTE DE PARED/TECHO (Consulte las imágenes 4 y 5)

1. El soporte de pared/techo debe montarse con el soporte giratorio tal y como se muestra en la ilustración correspondiente. El soporte tiene tres agujeros. Asegúrese de que el agujero cuadrado esté en la orientación correcta y posicionado tal y como se especifica en la ilustración de

posición de montaje correspondiente.

Instalación (continuación)

2. Busque el montante de pared o techo más cercano a la ubicación deseada del ventilador. Fije el soporte al montante usando los materiales suministrados o pernos y tuercas del tamaño apropiado si lo coloca a vigas en I.

NOTA: Instale siempre el soporte a un entramado de un mínimo de 2 x 4.

ADVERTENCIA Si el ventilador se va a montar con el soporte de pared/techo de Dayton, se DEBE montar y asegurar en una pared sólida o en una superficie de techo sólida que sea estructuralmente sólida para soportar el ventilador y el soporte de montaje. El soporte de pared/techo junto con el ventilador NO DEBE montarse en ninguna superficie sujeta a vibraciones, oscilaciones, movimientos o similares. El ventilador DEBE estar montado y asegurado adecuadamente a una estructura ESTACIONARIA.

3. Coloque el soporte giratorio en el soporte de pared/techo tal y como se indica en el paso 1. Asegure con el perno de montaje, la arandela plana, la arandela de seguridad y la tuerca según las imágenes 4 y 5. Aplique una torsión de entre 120 y 130 libras por pulgada. Finalmente, asegure con el perno cónico a través del agujero del perno de montaje. Coloque el soporte giratorio en el yugo del motor y alinee el agujero del pivote con el agujero redondo del soporte giratorio.

4. Inserte el perno de mayor diámetro en el agujero del pivote e instale la tuerca de seguridad apretándola manualmente.

5. Inserte el perno de menor diámetro en la ranura del yugo del motor (o del soporte de montaje) y el agujero cuadrado en el soporte del pivote, e instale la llave triangular apretándola manualmente.

6. Mientras sostiene el circulador en el ángulo deseado, apriete el perno de menor diámetro.

7. Apriete el perno más grande aplicando una torsión de entre 200 y 230 libras por pulgada y el perno más pequeño aplicando una torsión de entre 150 y 160 libras por

pulgada, teniendo cuidado de mantener la posición deseada.

8. Inserte el cable de corriente en una toma de corriente de tres patas debidamente conectada a tierra o en un GFCI si el código lo requiere.

ADVERTENCIA Desenchufe antes de ponerse a reparar la unidad. Para evitar lesiones personales, el circulador debe estar apoyado siempre que el ángulo esté siendo ajustado.

ADVERTENCIA Desenchufe el ventilador inmediatamente si ve que su funcionamiento no está equilibrado, se tambalea o muestra signos de una vibración significativa. Determine la raíz del funcionamiento incorrecto (piezas sueltas, hélice no equilibrada, etc.) y solúcelo consecuentemente. NO USE un ventilador que NO funciona correctamente. La resolución de problemas y reemplazo de piezas DEBEN ser realizados únicamente por personal cualificado.

NOTA: Este soporte de pared o techo cumple con los requisitos de carga estática de UL con los siguientes modelos de circuladores de aire Dayton: 1RWB4B, 2LY99B, 2MA10B y 6ALE7A.

SOPORTE DE SEGURIDAD SECUNDARIO INSTALACIÓN DE CABLES

(Consulte las imágenes 6, 7 y 8.)

ADVERTENCIA Todos los ventiladores de circulación de aire montados en pared/techo DEBEN tener su cable de soporte de seguridad secundario instalado correctamente antes de ponerlos en funcionamiento o servicio. Todas las instalaciones DEBEN ser realizadas solo por personal cualificado.

1. Anude uno de los extremos del cable alrededor de los cables de mayor diámetro de las protecciones frontal y trasera.

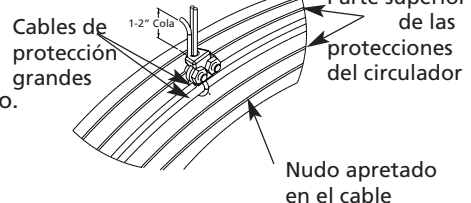


Figura 6

ESPAÑOL

Modelos: 1RWB4B, 1RWB5B, 2LY96B, 2LY97B, 2LY99B, 2MA10B, 6ALE6A y 6ALE7A

2. Ate un retenedor de cable con la "U" en el lado de la cola del nudo, dejando una cola de aproximadamente de 1 a 2 pulgadas. Apriete las tuercas de fijación, formando un nudo prieto, aplicando una torsión de 32 libras por pulgada. Asegúrese de que el cable no interfiera con la hélice.

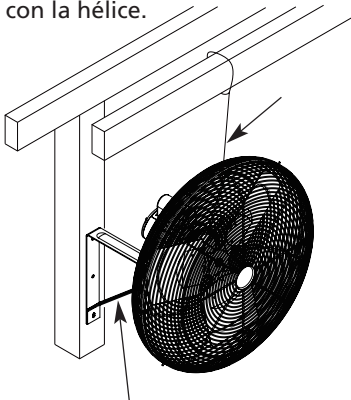


Figura 7 - Asegure el cable al soporte más próximo con el soporte de pared.

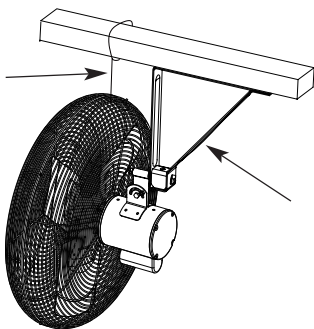


Figura 8 - Asegure el cable al soporte más próximo con el soporte de techo.

3. Envuelva el otro extremo del cable alrededor de una vigueta, viga, entramado u otro soporte seguro cerca del ventilador. Elimine todo el exceso de holgura del cable.
4. Coloque los retenedores de cable restantes como ha hecho previamente en el paso 2. El exceso de cola debe extenderse de 1 a 2 pulgadas más allá de la segunda abrazadera.

4. Compruebe el montaje para asegurarse de que la hélice no tenga ninguna obstrucción y pueda girar libremente.
5. Conecte el circulador a una fuente de alimentación adecuada, asegurando que se ajusta a las clasificaciones eléctricas listadas en la placa del motor del circulador.

⚠ ADVERTENCIA *El uso del cable de soporte de seguridad secundario NO garantiza la protección contra lesiones personales o de la propiedad. El montaje y la instalación tanto del circulador como del cable podrían fallar si son sometidos a un uso abusivo, negligente, si hay una falta de mantenimiento o si ha sido instalado incorrectamente. El instalador es responsable de garantizar que se implementen todas las medidas de seguridad requeridas.*

⚠ PRECAUCIÓN *Para evitar lesiones personales, el circulador debe estar apoyado siempre que el ángulo esté siendo ajustado.*

USO

Las unidades se usan, o la velocidad se selecciona usando el interruptor de cadena localizado en la parte trasera del motor. Para evitar la posibilidad de que un ventilador de pedestal vuelque, debe ser usado en una superficie estable y nivelada. No mueva el ventilador mientras está en funcionamiento.

MANTENIMIENTO

⚠ ADVERTENCIA *La sustitución de piezas y resolución de problemas deben llevarse a cabo solo por personal cualificado.*

⚠ ADVERTENCIA *No desconecte el ventilador simplemente con un interruptor mientras lo monta o repara. De así hacerlo, podría producirse una descarga eléctrica mortal.*

⚠ PRECAUCIÓN *No use gasolina, benceno, diluyentes, limpiadores fuertes, etc. que son peligrosos y dañarán el circulador de aire.*

⚠ ADVERTENCIA *Desenchufe la unidad antes de repararla o limpiarla.*

LIMPIEZA

La hélice, la protección y el motor deben ser limpiados periódicamente para evitar un sobrecalentamiento del motor o un funcionamiento en condiciones desequilibradas.

Si la limpieza requiere que se retire la protección, retire solo la protección frontal y reinstálela en su posición original una vez haya terminado. No repare la hélice si resulta dañada. La hélice está equilibrada de forma precisa en la fábrica y debe ser reemplazada si resulta dañada.

El motor está permanentemente lubricado.

Para repuestos, llame a 1-800-Grainger

24 horas al día, 365 días al año

Proporcione la siguiente información:

- Número de modelo
- Número de serie (si tiene)
- Descripción de la parte y número como se muestra en la lista de piezas

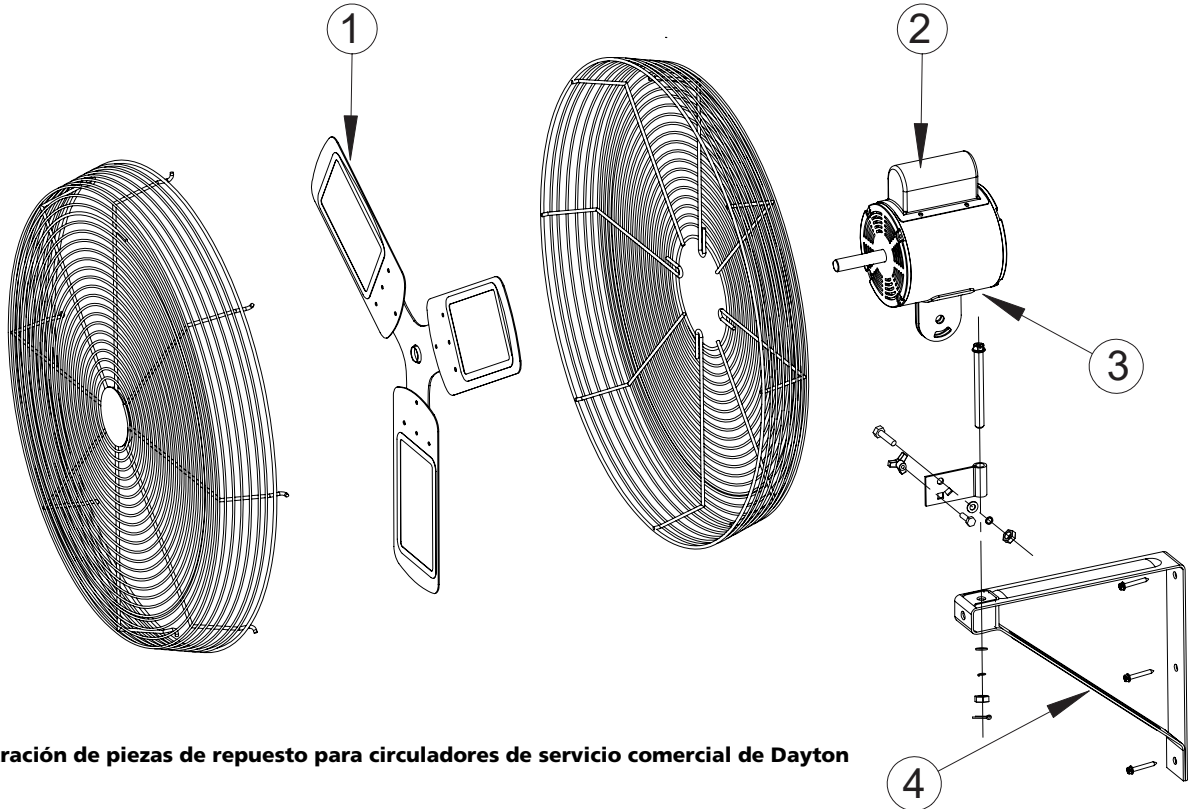


Figura 5 – Ilustración de piezas de repuesto para circuladores de servicio comercial de Dayton

E
S
P
A
Ñ
O
L

Lista de piezas de repuesto para circuladores de servicio comercial de Dayton

Número de referencia	Descripción	Número de pieza para modelo:				Cantidad
		6ALE6A	2LY96B	2LY97B	1RWB5B	
1	Hélice	19YX54	19YX55	19YX56	19YX57	1
2	Motor	19YX58	19YX59	19YX60	19YX61	1
3	Interruptor de cadena	19YX62	19YX62	19YX62	19YX62	1

Lista de piezas de repuesto para circuladores de servicio comercial de Dayton

Número de referencia	Descripción	Número de pieza para modelo:				Cantidad
		6ALE7A	2LY99B	2MA10B	1RWB4B	
1	Hélice	19YX63	19YX64	19YX65	19YX66	1
2	Motor	19YX67	19YX68	19YX69	19YX70	1
3	Interruptor de cadena	19YX62	19YX62	19YX62	19YX62	1
4	Soporte de pared/techo	19YX71	19YX71	19YX71	19YX71	1

Servicio comercial Dayton®

Circuladores de aire sin montar

Resolución de problemas

Síntoma	Causas probables	Acción correctiva
Unidad no funciona	<ol style="list-style-type: none"> 1. Cable de alimentación no enchufado 2. Fusible fundido o interruptor de circuito abierto 3. No hay electricidad 4. Motor defectuoso 	<ol style="list-style-type: none"> 1. Enchufe a la toma de corriente 2. Sustituya el fusible o reinicie el disyuntor 3. Contacte a la compañía eléctrica 4. Sustituya el motor, el motor no es reparable fuera de la fábrica
Vibración excesiva	<ol style="list-style-type: none"> 1. Las tuercas montadas en la protección trasera del motor no tienen la suficiente torsión 2. La hélice está desequilibrada por acumulación de suciedad etc. 	<ol style="list-style-type: none"> 1. Apriete las tuercas aplicando una torsión de entre 35 y 40 libras por pulgada 2. Limpie la hélice

GARANTÍA LIMITADA

GARANTÍA LIMITADA DE UN AÑO DE DAYTON. LOS MODELOS DE CIRCULADORES DE AIRE SIN MONTAR DE SERVICIO COMERCIAL DAYTON® CUBIERTOS EN ESTE MANUAL, ESTÁN GARANTIZADOS POR DAYTON ELECTRIC MFG. CO. (DAYTON) HACIA EL USUARIO ORIGINAL CONTRA DEFECTOS DE FABRICACIÓN O MATERIALES DURANTE UN AÑO DESPUÉS DE LA FECHA DE COMPRA BAJO UN USO NORMAL. CUALQUIER PARTE QUE SE DETERMINE QUE TENGA DEFECTOS DE MATERIAL O FABRICACIÓN Y QUE SEA DEVUELTA A UN CENTRO DE SERVICIO AUTORIZADO, DESIGNADO POR DAYTON, A PORTES PAGADOS, SERÁ COMO RECURSO EXCLUSIVO, REPARADA O SUSTITUIDA A ELECCIÓN DE DAYTON. PARA LOS PROCEDIMIENTOS DE RECLAMACIÓN DE LA GARANTÍA LIMITADA, VEA EL APARTADO "DISPOSICIÓN INMEDIATA" QUE VIENE A CONTINUACIÓN. ESTA GARANTÍA LIMITADA OTORGA A LOS COMPRADORES UNOS DERECHOS LEGALES ESPECÍFICOS QUE VARÍAN DE UNA JURISDICCIÓN A OTRA.

LIMITACIÓN DE RESPONSABILIDAD. EN LA MEDIDA PERMITIDA POR LA LEY APLICABLE, DAYTON RENUNCIA EXPRESAMENTE A LA RESPONSABILIDAD POR DAÑOS DIRECTOS E INDIRECTOS. LA RESPONSABILIDAD DE DAYTON EN TODOS LOS EVENTOS SE LIMITA A Y NO DEBERÁ SUPERAR EL PRECIO DE COMPRA PAGADO.

RENUNCIA DE GARANTÍA. SE HA HECHO UN ESFUERZO DILIGENTE EN LA PROVISIÓN DE INFORMACIÓN DEL PRODUCTO Y PARA ILUSTRAR AQUÍ LOS PRODUCTOS CON EXACTITUD; SIN EMBARGO, DICHA INFORMACIÓN Y LAS ILUSTRACIONES TIENEN SOLO CARÁCTER IDENTIFICATIVO, Y NO EXPRESAN NI IMPLICAN UNA GARANTÍA DE QUE LOS PRODUCTOS SON COMERCIABLES, SE AJUSTAN A UN PROPÓSITO PARTICULAR O QUE LOS PRODUCTOS SE AJUSTAN NECESARIAMENTE A LAS ILUSTRACIONES O DESCRIPCIONES. EXCEPTO POR LO PROVISTO A CONTINUACIÓN, NINGUNA GARANTÍA O AFIRMACIÓN DE HECHO, EXPRESADA O IMPLÍCITA, ADEMÁS DE LO ESTIPULADO EN LA "GARANTÍA LIMITADA" ANTERIOR ES HECHA NI AUTORIZADA POR DAYTON.

Asesoramiento técnico y recomendaciones, descargo de responsabilidad. A pesar de cualquier práctica o trato pasado o costumbre comercial, las ventas no incluirán el suministro de asesoramiento o asistencia técnica o diseño del sistema. Dayton no asume ninguna obligación ni responsabilidad a causa de recomendaciones, opiniones o consejos no autorizados sobre la elección, instalación o uso de los productos.

Idoneidad del producto. Muchas jurisdicciones tienen códigos y regulaciones que rigen la venta, construcción, instalación o uso de productos para determinados propósitos que pueden variar de las de las áreas vecinas. A pesar de que se intenta asegurar que los productos Dayton cumplan con dichos códigos, Dayton no puede garantizar su cumplimiento y no puede ser responsable de cómo se instala o usa el producto. Antes de comprar y usar un producto, revise las aplicaciones del producto y todos los códigos y regulaciones aplicables a nivel nacional y local, y asegúrese de que el producto, su instalación y su uso cumplirán con todos ellos.

Ciertos aspectos de las descargas de responsabilidad no son aplicables a los productos de consumo, por ejemplo (a) algunas jurisdicciones no permiten la exclusión o limitación de daños accidentales o consecuentes, por lo que la limitación o exclusión anterior puede no aplicarse en su caso; (b) también, algunas jurisdicciones no permiten la limitación en lo referente a la duración de una garantía implícita, por lo que la limitación anterior podría no aplicarse en su caso; y (c) por ley, durante el periodo de esta Garantía limitada, cualquier garantía implícita de comercialización o idoneidad implícita para un propósito particular aplicable a los productos de consumo comprados por los consumidores, no puede excluirse ni denegarse.

Disposición inmediata. Se hará un esfuerzo de buena fe para la corrección inmediata u otro ajuste con respecto a cualquier producto que se demuestre ser defectuoso dentro de la garantía limitada. Para cualquier producto que se considere defectuoso dentro de la garantía limitada, primero escriba o llame al distribuidor al que le compró el producto. El distribuidor le dará instrucciones adicionales. Si no pudiera resolverlo satisfactoriamente, escriba a Dayton a la dirección que figura a continuación, proporcionando el nombre y dirección del distribuidor, y fecha y número de factura del distribuidor, y una descripción de la naturaleza del defecto. El título y riesgo de pérdida pasa al comprador en el envío por medio de una empresa de transporte. Si el producto se dañó durante el transporte hacia usted, presente una reclamación al transportista.

Fabricado por Dayton Electric Mfg. Co., 100 Grainger Parkway, Lake Forest, IL 60045 EE. UU.

Fabricado por Dayton Electric Mfg. Co.,
100 Grainger Parkway, Lake Forest, IL 60045 EE. UU.



Lisez et conservez ces instructions Lisez attentivement avant d'essayer d'assembler, d'installer, d'utiliser ou d'entretenir le produit décrit. Protégez-vous et les autres en respectant toutes les informations de sécurité. Le non respect de ces instructions pourrait aboutir sur des blessures physiques et/ou des dégâts matériels! Gardez ces instructions pour référence ultérieure.

Circulateurs d'air non assemblés à usage commercial léger de Dayton®

Description

Les circulateurs d'air non assemblés à usage commercial léger de Dayton sont utilisés à la fois pour des applications spécifiques ou générales dans des environnements propres et secs. Le produit est caractérisé par des faibles niveaux de bruit pour les applications commerciales. Les grilles de protections en deux pièces thermolaquées noires sont conformes à la norme OSHA 1910.212 des Etats-Unis ayant une ouverture requise de 1/2 po. Hélice à 3 pales en aluminium matricé, moteur de 120V, 60 Hz avec protection thermique à réenclenchement automatique. Les têtes des circulateurs comportent un réglage de d'inclinaison verrouillable. Les moteurs sont lubrifiés en permanence.

Tous les circulateurs sont homologués UL et cUL et sont conformes à UL507 en ce qui concerne la stabilité lorsqu'ils sont utilisés avec les fixations pour circulateur d'air Dayton. Choix du type de socle réglable ou fixation murale / pour plafond.

Performance

Modèle	Diamètre de l'hélice (Po)	TPM moteur	HP	Volts	Hz	CFM haut	CFM bas	Vitesse de l'air @20PO (FPM)	Utilisation Amps	Intensité à pleine charge (FLA)
6ALE7A/6ALE6A	18	1100/950	1/8	120	60	3480	2460	330/273	1.8/1.4	1.8
2LY96B/2LY99B	20	1200/1000	1/6	120	60	3700	2600	400/350	2.0/1.5	2.0
2LY97B/2MA10B	24	1100/950	1/4	120	60	5450	3800	590/300	2.9/2.0	2.9
1RWB4B/1RWB5B	30	1100/900	1/4	120	60	7250	4650	715/480	2.9/1.9	2.9

Déballage

1. Inspectez attentivement le produit à la recherche de tous signes de dommages pouvant s'être produits pendant le transport.
2. La réclamation pour des dommages dus au transport doit être déposée auprès du transporteur.

Informations générales sur la sécurité

REMARQUE : Pour être conforme à UL507, le circulateur ne doit pas être utilisé sans surveillance.

1. Assurez-vous que la source d'alimentation est conforme à l'équipement électrique du ventilateur.
2. Lorsque vous rencontrez un réceptacle mural à deux broches, il doit être remplacé par un réceptacle à trois broches correctement mis à la terre installé conformément au Code électrique national (NEC) des États-Unis et tous les codes et décrets locaux applicables. Ce travail doit être effectué par un électricien qualifié, uniquement avec du fil de cuivre.

AVERTISSEMENT L'utilisation d'un adaptateur trois broches vers deux broches n'est pas recommandée. Une connexion incorrecte pourrait créer un risque d'électrocution. L'utilisation de ces adaptateurs est interdite au Canada.

3. Lorsque cela est possible, évitez l'utilisation de rallonges. Si vous devez en utiliser une, minimisez le risque de surchauffe en vous assurant qu'ils sont dans la liste UL et de la propre mesure et longueur. N'utilisez jamais une rallonge unique pour alimenter plus d'un ventilateur.
4. Ne pliez pas le cordon ou ne le laissez pas en contact d'huile, de graisse, de produits chimiques, de surfaces brûlantes, d'objets coupants ou abrasifs.

AVERTISSEMENT Ne dépendez pas d'un autre interrupteur comme le seul moyen de déconnecter l'alimentation lorsque vous installez ou réparez le ventilateur. Autrement, vous risquez un électrochoc fatal.

5. Ce ventilateur doit être utilisé uniquement avec des protections conformes à OSHA pour éviter que des personnes et / ou des objets n'entrent en contact avec l'hélice en rotation. Toute autre utilisation annule la garantie et peut créer des conditions à risque.

AVERTISSEMENT N'insérez pas vos doigts ou un objet étranger dans le ventilateur. Ne bloquez pas ou ne modifiez pas le ventilateur de quelque manière lorsqu'il est en fonctionnement.



Figure 1 – Circulateur d'air monté sur un mur
6ALE7A 2MA10B 2LY99B 1RWB4B



Figure 2 – Circulateur d'air monté sur socle
6ALE6A 2LY97B 2LY96B 1RWB5B

AVERTISSEMENT Ne touchez pas le moteur car il peut être suffisamment chaud pour vous causer des blessures.

6. Le ventilateur est conçu UNIQUEMENT pour la circulation de l'air générale. Il ne doit pas être utilisé dans des endroits potentiellement dangereux comme les atmosphères inflammables, explosives, chimiques ou humides. N'utilisez pas le ventilateur sur ou près d'une fenêtre, car la pluie pourrait créer un danger électrique. N'attachez pas les conduites sur le ventilateur.

AVERTISSEMENT Débranchez avant de réparer l'unité.

7. Le moteur du ventilateur est équipé avec un protecteur thermique à réglage automatique qui déconnectera l'alimentation si le moteur surchauffe. Débranchez toujours le ventilateur avant d'enlever la protection, car le moteur pourrait redémarrer de manière inattendue.

Circulateurs d'air non assemblés à usage commercial léger de Dayton®

Informations générales sur la sécurité (Suite)

8. Dans les cas où des dégâts matériels surviendrait d'un dysfonctionnement du ventilateur, une alarme appropriée (commutateur d'air, capteur de température, etc) doit être utilisée.
9. Ne faites pas fonctionner le ventilateur avec un cordon ou une prise abîmée. Jetez le ventilateur ou renvoyez-le dans un centre de service autorisé pour l'examen et / ou la réparation.
10. Ne faites pas passer le cordon sous un tapis. Ne couvrez PAS le cordon avec une carpe, un coureur ou des protections similaires. Ne faites pas passer le cordon sous des meubles ou des appareils. Placez le cordon éloigné des zones de trafic et dans un endroit où personne ne trébuchera dessus.

AVERTISSEMENT Pour réduire le risque d'incendie ou de choc électrique, n'utilisez pas ce ventilateur avec un appareil de contrôle de vitesse.

Assemblage

TÊTE DU CIRCULATEUR

1. Enlevez les parties de la tête du circulateur de la boîte.
2. Placez le moteur sur une surface plate avec l'axe du moteur vert le haut.
3. Fixez la protection arrière sur le moteur en utilisant quatre écrous et rondelles fournis. Appliquez un couple de 35-40 in. lb. du moteur sur les écrous de fixation du moteur.
4. Fixez solidement l'hélice sur le plat de l'arbre moteur avec le boulon fourni. Lors de la fixation de l'hélice, le boulon doit faire face au moteur. Appliquez un couple de serrage de 90-120 po-lb au boulon de l'hélice.
5. Placez la grille de protection avant sur la grille de protection arrière avec la décalcomanie à l'opposé de l'hélice. Placez les crochets de la protection entre les nervures de la protection arrière. Utilisez un gros tournevis pour soulever les crochets de la

protection afin de les mettre en place. Une fois assemblés, les crochets de la protection doivent être situés entre l'anneau d'extrémité le plus à l'extérieur et le deuxième anneau d'extrémité le plus à l'extérieur. Assurez-vous que tous les crochets soient engagés avant de faire fonctionner le ventilateur.

6. Vérifiez que l'hélice n'entre pas en contact avec la protection, en aucun point, avant de brancher le ventilateur à la source d'alimentation électrique.

Installation

VENTILATEUR AVEC SOCLE

(Voir la figure 3)

1. Enlevez la base et l'assemblage de la colonne (qui comprend le colonne supérieure, la colonne inférieure et le ressort) de la boîte.
2. Assurez-vous que le poids du socle soit correctement assemblé à la base. Fixez solidement la colonne sur le socle à l'aide des cinq boulons et rondelles fournis. Appliquez un couple de serrage de 35-45 po lb.
3. Ajustez la colonne à la hauteur souhaitée et verrouillez-la en position en serrant le bouton à tête triangulaire dans le collier.

IMPORTANT: Ne serrez pas outre mesure.

4. Placez le circulateur assemblé la face orientée sur une surface plate.
5. Inclinez l'assemblage du piédestal, en plaçant l'embout plat de la colonne sur la culasse du moteur.
6. Insérez le petit boulon dans la fente de réglage du moteur et l'embout de la colonne et serrez à la main avec l'écrou de verrouillage.
7. Redressez l'ensemble de l'unité en le soulevant par l'extrémité du moteur de la colonne. Réglez l'angle du circulateur à la position désirée et serrez le plus gros boulon à un couple de 200-230 po-lb et le plus petit boulon à un couple de 150-160 po-lb
8. Placez le piédestal assemblé et le ventilateur sur une surface plate et à

l'équerre. Ne placez pas le cordon sous la base du piédestal. Placez l'assemblage dans un endroit où le cordon ne représente pas un risque de trébuchement.

9. Insérez la fiche dans une prise à trois fentes correctement mise à la terre ou avec disjoncteur de fuite à la terre si le code l'exige. L'appareil est maintenant prête à fonctionner.

REMARQUE : Cet assemblage de piédestal répond aux exigences de stabilité UL avec les modèles de circulateur d'air Dayton fourni.

REMARQUE : Utilisez uniquement la visserie d'assemblage recommandée pour le circulateur Dayton.

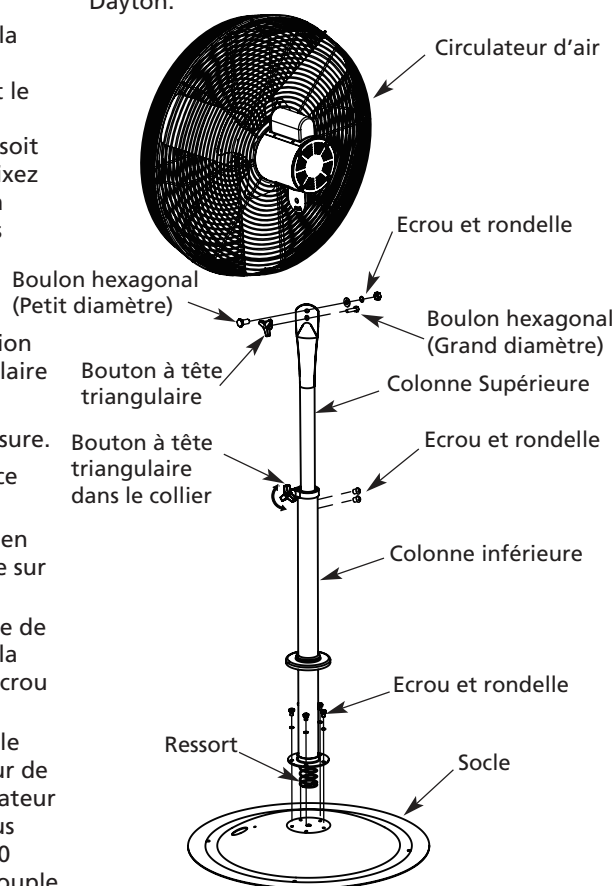


Figure 3 – Assemblage du ventilateur sur socle

Modèles : 1RWB4B, 1RWB5B, 2LY96B, 2LY97B, 2LY99B, 2MA10B, 6ALE6A et 6ALE7A

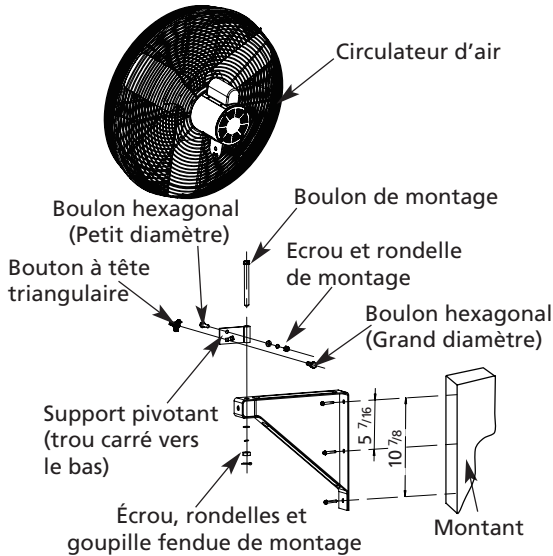


Figure 4 - Assemblage au mur

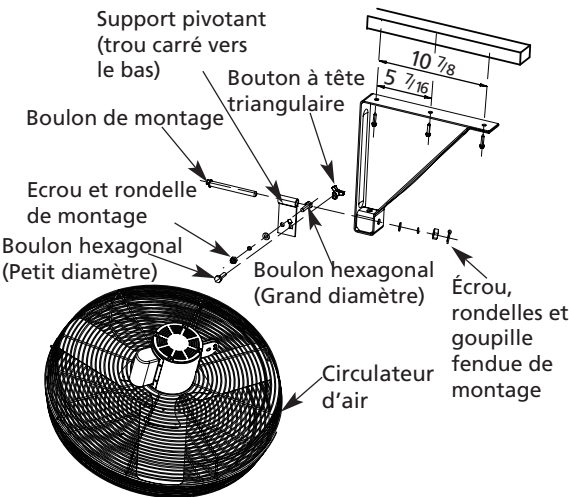


Figure 5 - Assemblage au plafond
VENTILATEUR AVEC SUPPORT MURAL / POUR PLAFOND

(Reportez-vous aux figures 4 et 5.)

1. Le support mural / pour plafond doit être assemblé avec le support pivotant comme indiqué sur l'illustration correspondante. Le support comporte trois trous ; assurez-vous que le trou carré soit correctement orienté et positionné comme indiqué sur l'illustration de la position de montage

correspondante.

Installation (Suite)

2. Localisez le montant du mur ou du plafond le plus proche de l'emplacement souhaité pour le ventilateur. Fixez le support au montant à l'aide de la visserie fournie ou de boulons et d'écrous de taille appropriée si vous les fixez à des poutres en I.

REMARQUE : Installez toujours le support à un montant ayant d'au moins 2 x 4.

AVERTISSEMENT Si le ventilateur doit être monté avec le support mural / pour plafond de Dayton, il DOIT être monté et fixé sur un mur ou une surface de plafond solide structurellement en bon état pour supporter le ventilateur et le support de montage. Le support mural / pour plafond ainsi que le ventilateur NE DOIVENT PAS être montés sur une surface sujette à des vibrations, des oscillations, des mouvements ou autres. Le ventilateur DOIT être monté et correctement fixé à une structure STATIONNAIRE.

3. Positionnez le support pivotant sur le support mural / pour plafond comme indiqué à l'étape 1. Fixez avec le boulon, la rondelle plate, la rondelle de blocage et l'écrou de montage selon les figures 4 et 5. Serrez à un couple de serrage de 120-130 po-lb. Enfin, fixez avec la goupille fendue dans le trou du boulon de montage. Positionnez le support pivotant dans la fourche du moteur et alignez le trou du support de pivot sur le trou rond du support pivotant.

4. Insérez le boulon de plus grand diamètre dans le trou de support de pivot et installez l'écrou de verrouillage à la main.

5. Insérez le boulon de plus petit diamètre dans la fente de la fourche du moteur (ou du support supérieur) et du trou carré dans le support de pivot, puis installez le bouton triangulaire à la main.

6. Tout en maintenant le circulateur à l'angle désiré, serrez le boulon de plus petit diamètre.

7. Serrez le plus gros boulon à un couple de serrage de 200-230 po-lb et le plus petit boulon à un couple de serrage de

150-160 po-lb, en prenant soin de maintenir la position désirée.

8. Branchez le cordon d'alimentation dans un réceptacle à trois broches correctement mis à la terre ou un GFCI si le code le nécessite.

AVERTISSEMENT réparer l'unité. Pour éviter les blessures physique, le circulateur doit être soutenu à chaque fois que l'angle est réglé.

AVERTISSEMENT Débranchez immédiatement le ventilateur si lors du fonctionnement, l'appareil est déséquilibré, vacille ou montre des signes de vibrations importantes. Déterminez l'origine de la cause du mauvais fonctionnement (matériel de montage desserré, hélice déséquilibrée, etc.) et trouvez une solution en conséquence. NE FAITES PAS FONCTIONNER un ventilateur qui NE fonctionne PAS correctement. Le dépannage et le remplacement des pièces DOIVENT être effectués uniquement par du personnel qualifié.

REMARQUE : Ce support mural ou pour plafond répond aux exigences de charge statique UL avec les modèles à circulation d'air Dayton suivants 1RWB4B, 2LY99B, 2MA10B et 6ALE7A.

INSTALLATION DU CABLE SECONDAIRE DE SECURITE

(Voir les figures 6, 7 et 8).

AVERTISSEMENT Tous les ventilateurs à circulation d'air montés au mur / pour plafond DOIVENT avoir leur câble secondaire de sécurité auxiliaire correctement installé avant leur mise en service ou leur utilisation. Toutes les installations DOIVENT être effectuées par du personnel qualifié.

1. Enroulez une extrémité du câble autour des grilles avant et arrière de gros diamètre.

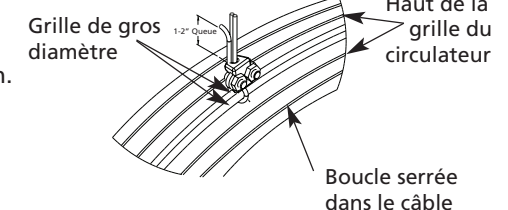


Figure 6

Modèles : 1RWB4B, 1RWB5B, 2LY96B, 2LY97B, 2LY99B, 2MA10B, 6ALE6A et 6ALE7A

- Fixez un serre-câble avec un « U » à l'arrière de la boucle, en laissant une extrémité d'environ 1 à 2 pouces. Serrez les écrous de serrage en formant une boucle serrée avec un couple de serrage de 32 po-lb. Assurez-vous que le câble n'interfère pas avec l'hélice.

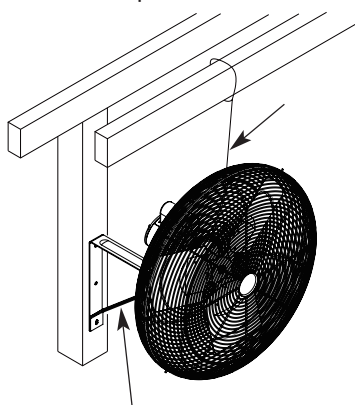


Figure 7 - Fixez le câble au support le plus proche avec le support mural

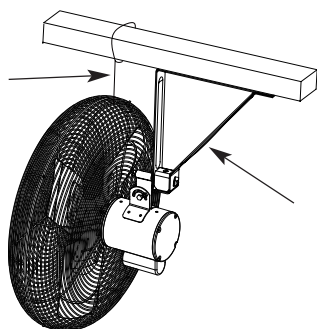


Figure 8 - Fixez le câble au support le plus proche avec le support pour plafond

- Enroulez l'autre extrémité du câble autour d'une solive, d'une poutre, d'une ferme ou de tout autre support sécurisé, à proximité du ventilateur. Prenez tout le mou du câble.
- Fixez les serre-câbles restants comme indiqué précédemment à « l'étape 2 ». La queue en excès doit être coupée pour s'étendre de 1 à 2 pouces au-delà du deuxième écrou de serrage.

- Vérifiez l'ensemble pour vous assurer que l'hélice est libre de tout obstacle et tourne librement.
- Branchez le circulateur sur une alimentation appropriée en veillant à ce qu'il soit conforme aux caractéristiques électriques indiquées sur la plaque signalétique du moteur du circulateur.

⚠ AVERTISSEMENT *L'utilisation du câble secondaire de sécurité ne garantit PAS la protection contre les risques de blessure des personnes ou des biens. Le montage et l'installation du circulateur et du câble peuvent échouer s'ils sont soumis à des abus, à de la négligence, à un manque d'entretien ou à une installation incorrecte. L'installateur est responsable de s'assurer que toutes les mesures de sécurité requises ont été mises en œuvre.*

⚠ MISE EN GARDE *Pour éviter les blessures physique, le circulateur doit être soutenu à chaque fois que l'angle est réglé.*

UTILISATION

Les unités sont entraînées, ou les vitesses sont réglées en utilisant le commutateur à chaîne à tirer situé à l'arrière du moteur.

Pour éviter tout risque de basculement d'un ventilateur sur socle, celui-ci doit être utilisé sur une surface plane et stable. Ne déplacez pas le ventilateur pendant son fonctionnement.

ENTRETIEN

⚠ AVERTISSEMENT *La résolution des problèmes et le remplacement des pièces ne doivent être exécutés que par du personnel qualifié.*

⚠ AVERTISSEMENT *Ne dépendez pas d'un autre interrupteur comme le seul moyen de déconnecter l'alimentation lorsque vous installez ou réparez le ventilateur. Autrement, vous risquez un électrochoc fatal.*

⚠ MISE EN GARDE *N'utilisez pas d'essence, de benzène, de diluant, de nettoyeurs puissants, etc., qui sont dangereux et peuvent endommager le circulateur d'air.*

⚠ AVERTISSEMENT *Débranchez l'unité avant de réparer ou de nettoyer.*

NETTOYAGE

L'hélice, la grille de protection et le moteur doivent être nettoyés régulièrement selon un planning programmé afin d'éviter toute surchauffe et/ou des conditions de fonctionnement déséquilibré.

Si le nettoyage nécessite d'enlever une protection, n'enlevez que la protection avant et réinstallez une fois que vous avez terminé sur sa position d'installation d'origine. Ne réparez pas l'hélice si elle est endommagée. L'hélice est correctement équilibrée à l'usine et doit être remplacée si elle est endommagée.

Le moteur est lubrifié en permanence.

Pour les pièces de rechange, appelez 1-800-Grainger

24 heures par jour - 365 jours par an

Saisissez les informations suivantes :

- Numéro de modèle
- Numéro de série (le cas échéant)
- Description et numéro des pièces comme présenté dans la liste des pièces.

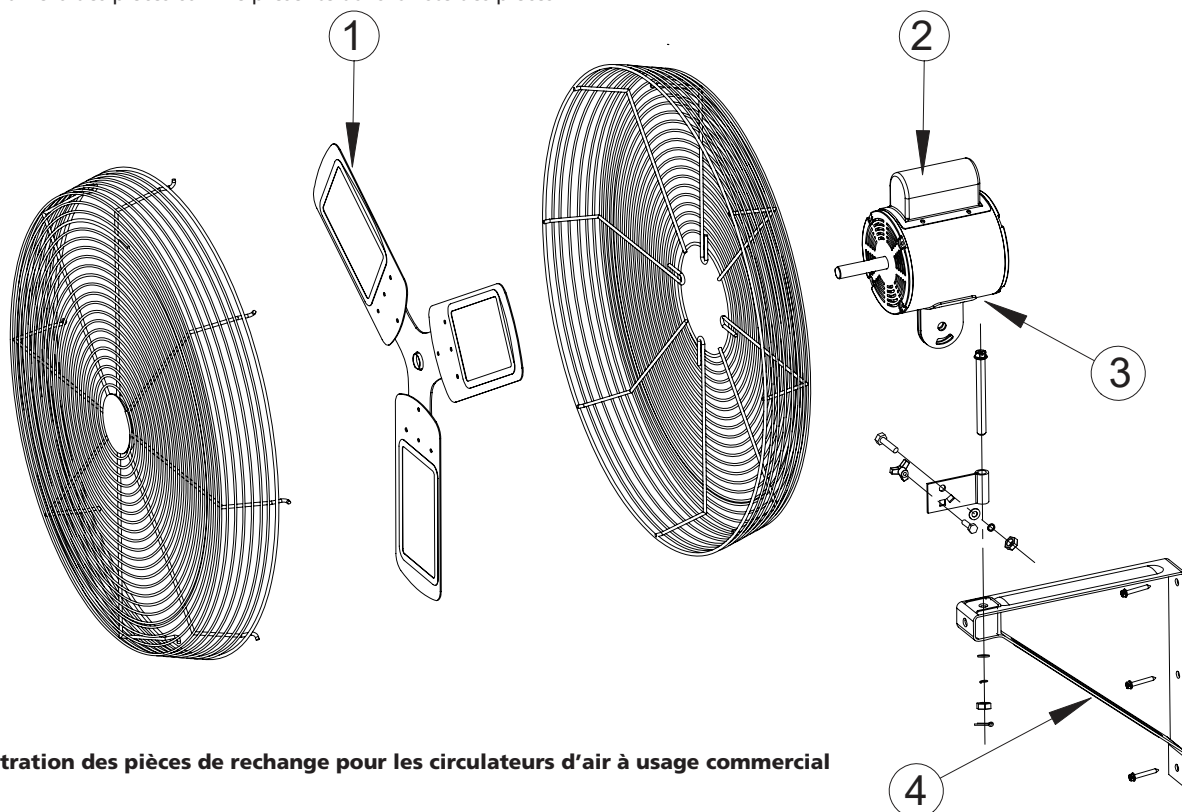


Figure 5 – Illustration des pièces de rechange pour les circulateurs d'air à usage commercial

Liste des pièces de rechange pour les circulateurs d'air à usage commercial

Numéro de référence	Description	Numéro de pièce pour les modèles :				Quantité
		6ALE6A	2LY96B	2LY97B	1RWB5B	
1	Hélice	19YX54	19YX55	19YX56	19YX57	1
2	Moteur assemblé	19YX58	19YX59	19YX60	19YX61	1
3	Interrupteur à tirette de la chaîne	19YX62	19YX62	19YX62	19YX62	1

Liste des pièces de rechange pour les circulateurs d'air à usage commercial

Numéro de référence	Description	Numéro de pièce pour les modèles :				Quantité
		6ALE7A	2LY99B	2MA10B	1RWB4B	
1	Hélice	19YX63	19YX64	19YX65	19YX66	1
2	Moteur assemblé	19YX67	19YX68	19YX69	19YX70	1
3	Interrupteur à tirette de la chaîne	19YX62	19YX62	19YX62	19YX62	1
4	Support mural / pour plafond	19YX71	19YX71	19YX71	19YX71	1

FRANÇAIS

Circulateurs d'air non assemblés à usage commercial léger de Dayton®

Tableau des procédures de dépannage

Symptôme	Cause(s) possible(s)	Action corrective
L'appareil ne fonctionne pas	<ol style="list-style-type: none">1. Le cordon d'alimentation n'est pas branché2. Fusible grillé ou disjoncteur déclenché3. Aucune alimentation électrique4. Moteur défectueux	<ol style="list-style-type: none">1. Branchez dans une prise2. Remplacez le fusible ou réenclencher le disjoncteur3. Contactez la compagnie d'électricité4. Remplacez l'appareil. Le moteur ne peut pas être réparé sur place
Vibration excessive	<ol style="list-style-type: none">1. Les écrous de fixation du moteur sur la grille arrière ne sont pas suffisamment serrés.2. L'hélice est déséquilibrée à cause de l'accumulation de saleté, etc.	<ol style="list-style-type: none">1. Appliquez un couple de serrage de 35 à 40 po-lb aux écrous de fixation du moteur.2. Nettoyer l'hélice

GARANTIE LIMITÉE

GARANTIE LIMITÉE D'UN AN DE DAYTON. LES MODÈLES DE CIRCULATEURS D'AIR NON ASSEMBLÉS A USAGE COMMERCIAL DE DAYTON®, CONVERTIS DANS CE MANUEL, SONT GARANTIS PAR DAYTON ELECTRIC MFG. CO. (DAYTON) À L'UTILISATEUR D'ORIGINE CONTRE LES DÉFAUTS DE FABRICATION OU DE MATÉRIAUX LORS D'UN USAGE NORMAL PENDANT UN AN APRÈS LA DATE D'ACHAT. TOUTE PIÈCE, DONT LES MATÉRIAUX OU LA MAIN D'OEUVRE SERONT JUGÉS DÉFECTUEUX, ET QUI SERA RENVOYÉE AVEC FRAIS DE PORT PRÉPAYÉ, À UN CENTRE DE RÉPARATION AUTORISÉ PAR DAYTON, SERA, À TITRE DE SOLUTION EXCLUSIVE, SOIT RÉPARÉE, SOIT REMPLACÉE PAR DAYTON. POUR LES PROCÉDURES RÉCLAMATION SOUS GARANTIE LIMITÉE, REPORTEZ-VOUS À LA CLAUSE DE « DISPOSITION PROMPTE » CI-DESSOUS. CETTE GARANTIE LIMITÉE DONNE AUX ACHETEURS DES DROITS LÉGAUX SPÉCIFIQUES QUI VARIENT DE JURIDICTION À JURIDICTION.

LIMITATION DE RESPONSABILITÉ. DANS LA MESURE AUTORISÉE SELON LA LOI APPLICABLE, LA RESPONSABILITÉ DE DAYTON POUR LES DÉGÂTS ACCIDENTELS ET CONSÉQUENTIELS EST DÉGAGÉE EXPRESSÉMENT. LA RESPONSABILITÉ DE DAYTON SE LIMITE EN TOUS LES CAS ET NE DOIT PAS DÉPASSER LE PRIX D'ACHAT PAYÉ.

DÉGAGEMENT DE GARANTIE. UN EFFORT CONSÉQUENT A ÉTÉ FAIT POUR LA PRÉCISION DES INFORMATIONS SUR LE PRODUIT ET L'ILLUSTRATION DES PRODUITS DANS CE MANUEL, TOUTEFOIS CETTE INFORMATION ET CES ILLUSTRATIONS NE SERVENT QUE POUR L'IDENTIFICATION, ET N'EXPRIME PAS UNE GARANTIE QUE LES PRODUITS SONT APPROPRIÉS POUR LA VENTE, OU ADAPTÉS POUR UNE UTILISATION PARTICULIÈRE, OU QUE LE PRODUIT SERA NÉCESSAIREMENT CONFORME AUX ILLUSTRATIONS OU DESCRIPTIONS. SAUF COMME MENTIONNÉ PLUS BAS, AUCUNE GARANTIE OU AFFIRMATION DE FAIT, EXPRIMÉ OU IMPLIQUÉ, AUTRE QUE CELLE DÉCLARÉE DANS LA « LIMITATION DE GARANTIE » CI-DESSUS 'EST FAITE OU.

Exclusion de responsabilité sur les conseils techniques et les recommandations. Peu importe les pratiques ou négociations antérieures ou les usages commerciaux, les ventes n'incluent pas l'offre de conseils techniques ou d'assistance ou encore de conception de système. Dayton n'a aucune obligation ou responsabilité quant aux recommandations non autorisées, aux opinions et aux suggestions relatives au choix, à l'installation ou à l'utilisation des produits.

Conformité du produit. De nombreuses juridictions disposent de codes et de réglementations régissant les ventes, les constructions, installations et / ou utilisations de produits à certaines fins, qui peuvent varier de celles des régions voisines. Bien que des tentatives soient faites pour s'assurer que les produits Dayton soient conformes à ces codes, Dayton ne peut en garantir la conformité et ne peut être tenu responsable de la manière dont le produit est installé ou utilisé. Avant d'acheter et d'utiliser un produit, passez en revue les applications du produit, ainsi que tous les codes et réglementations nationales et locales applicables, et assurez-vous que le produit, l'installation et l'utilisation seront conformes à celles-ci.

Certains aspects des exclusions de responsabilité ne s'appliquent pas aux produits de consommation; Par exemple, (a) certaines juridictions n'autorisent pas l'exclusion ou la limitation des dommages indirects ou consécutifs, la limitation ou l'exclusion ci-dessus peut ne pas s'appliquer à vous; (b) également, certaines juridictions n'autorisent pas de limitation de la durée d'une garantie implicite; par conséquent, la limitation ci-dessus peut ne pas s'appliquer à vous; et (c) légalement, pendant la durée de la présente garantie limitée, aucune garantie implicite de qualité marchande implicite ou d'adéquation à un usage particulier, applicable à des produits de consommation achetés par des consommateurs, ne peut être exclue ni autrement rejetée.

Disposition prompte. Un effort de bonne foi sera fait pour corriger ou ajuster rapidement tout produit prouvé défectueux pendant la période de la garantie limitée. Pour tout produit considéré défectueux pendant la période de garantie limitée, contactez tout d'abord le revendeur où l'appareil a été acheté. Le revendeur vous donnera des instructions supplémentaires. En cas d'impossibilité de résoudre le problème de façon satisfaisante, écrivez à Dayton à l'adresse ci-dessous, en précisant le nom, l'adresse, la date et le numéro du revendeur, ainsi que la nature du problème. Le titre et le risque de perte passent à l'acheteur au moment de la livraison par le transporteur. Si le produit a été endommagé pendant le transport, une réclamation doit être faite auprès du transporteur

Fabriqués pour Dayton Electric Mfg. Co., 100 Grainger Parkway, Lake Forest, IL 60045 Etats-Unis.

Fabriqués pour Dayton Electric Mfg. Co.,
100 Grainger Parkway, Lake Forest, IL 60045 Etats-Unis.

Dayton®

